



**ALLIED SUCCESS**

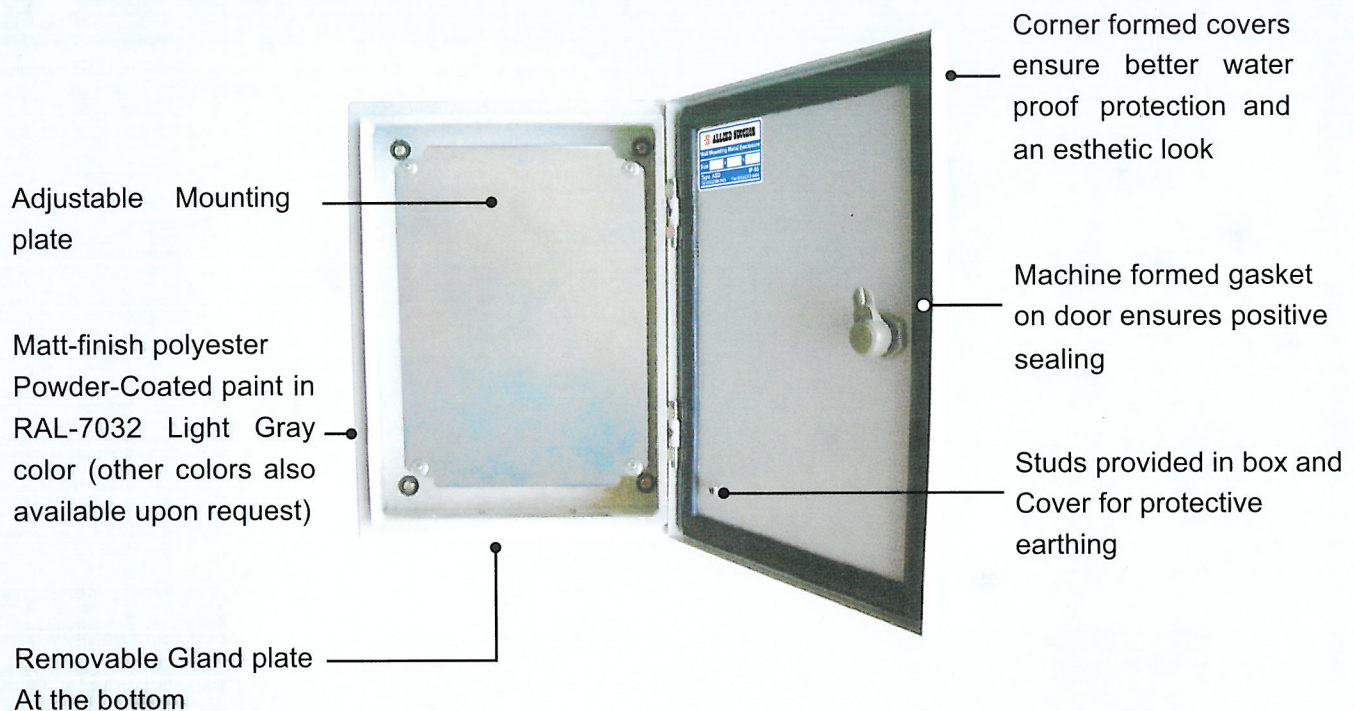
**WEATHERPROOF SERIES**





### Application

ALLIED SUCCESS Service Enclosures are designed to accommodate various types of electrical switchgear and control gear assemblies to suit of electrical installations in commercial and industrial premises. It is designed for both indoor and outdoor applications (IP54~IP65).



### Other Features

1. Made out of high quality electro-galvanized steel of 1.2-2.0 mm thickness
2. Available in stainless steel for outdoor applications
3. Mounting plate made of 1.5-2.0 mm GI steel
4. Double door construction for width more than 1000 mm
5. Floor mounting plate (for depth greater than 450 mm)
6. 3-point CAM lock for larger sized enclosures ensure uniform locking over the entire length (above 1200 mm height)

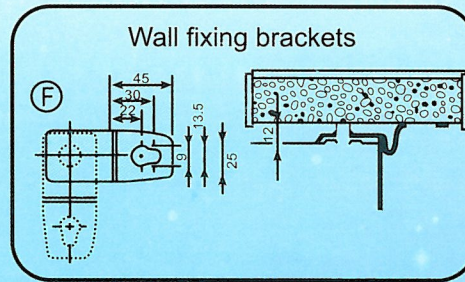
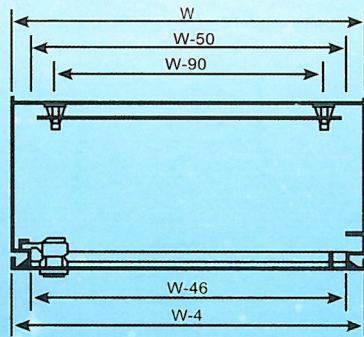
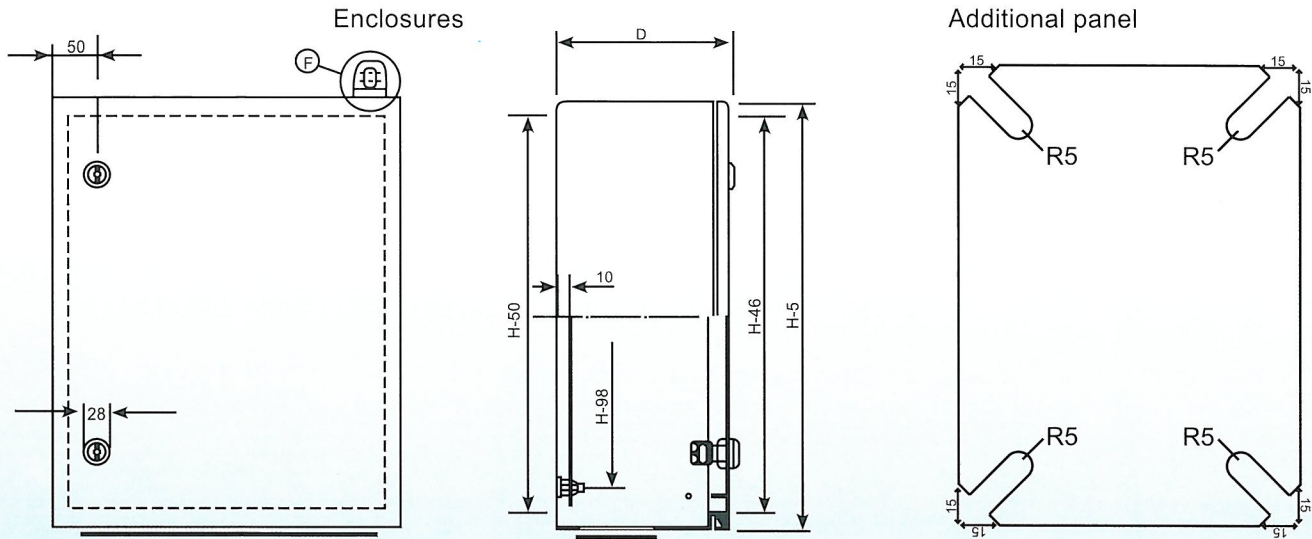


# SIZES AVAILABLE

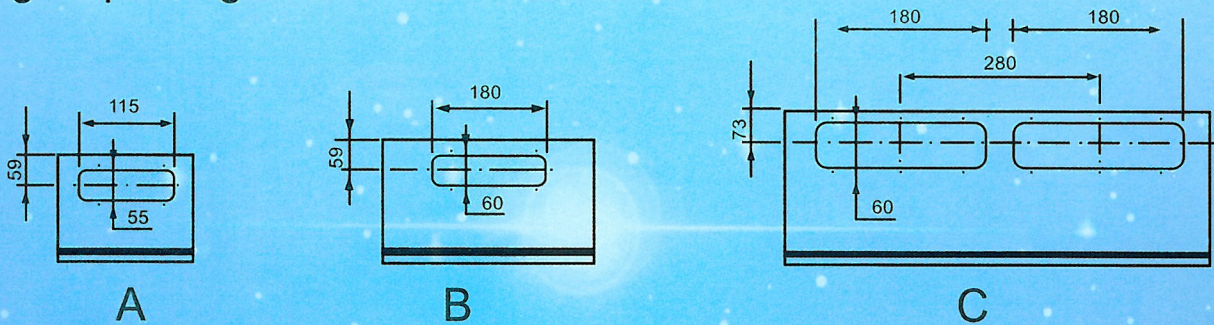
Dimensions (mm) Width x Height x Depth			Type NO.	No.of Locks	No.of Hinges	No.of Wall Brackets	Flange openinge	Thickness (mm)
200	250	140	ASD - 20 x 25 x 14	1	2	4	A	1.2
250	300	140	ASD - 25 x 30 x 14	1	2	4	A	1.2
		200	ASD - 25 x 30 x 20	1	2	4	B	1.2
300	300	140	ASD - 30 x 30 x 14	1	2	4	A	1.2
		200	ASD - 30 x 30 x 20	1	2	4	B	1.2
300	400	140	ASD - 30 x 40 x 14	1	2	4	A	1.2
		200	ASD - 30 x 40 x 20	1	2	4	B	1.2
400	500	140	ASD - 40 x 50 x 14	2	2	4	A	1.5
		200	ASD - 40 x 50 x 20	2	2	4	B	1.5
		260	ASD - 40 x 50 x 26	2	2	4	B	1.5
400	600	140	ASD - 40 x 60 x 14	2	2	4	A	1.5
		200	ASD - 40 x 60 x 20	2	2	4	B	1.5
		260	ASD - 40 x 60 x 26	2	2	4	B	1.5
500	600	140	ASD - 50 x 60 x 14	2	2	4	A	1.5
		200	ASD - 50 x 60 x 20	2	2	4	B	1.5
		260	ASD - 50 x 60 x 26	2	2	4	B	1.5
		320	ASD - 50 x 60 x 32	2	2	4	B	1.5
500	700	140	ASD - 50 x 70 x 14	2	2	4	A	1.5
		200	ASD - 50 x 70 x 20	2	2	4	B	1.5
		260	ASD - 50 x 70 x 26	2	2	4	B	1.5
		320	ASD - 50 x 70 x 32	2	2	4	B	1.5
600	800	200	ASD - 60 x 80 x 20	2	3	4	B	1.5
		260	ASD - 60 x 80 x 26	2	3	4	B	1.5
		320	ASD - 60 x 80 x 32	2	3	4	B	1.5
		380	ASD - 60 x 80 x 38	2	3	4	B	1.5
600	1000	260	ASD - 60 x 100 x 26	2	3	6	B	1.5
		320	ASD - 60 x 100 x 32	2	3	6	B	1.5
		380	ASD - 60 x 100 x 38	2	3	6	B	1.5
		450	ASD - 60 x 100 x 45	2	3	6	B	1.5
800	1000	260	ASD - 80 x 100 x 26	2	3	6	C	1.5
		320	ASD - 80 x 100 x 32	2	3	6	C	1.5
		380	ASD - 80 x 100 x 38	2	3	6	C	1.5
		450	ASD - 80 x 100 x 45	2	3	6	C	1.5
800	1200	260	ASD - 80 x 120 x 26	3	3	6	C	1.5
		320	ASD - 80 x 120 x 32	3	3	6	C	1.5
		380	ASD - 80 x 120 x 38	3	3	6	C	1.5
		450	ASD - 80 x 120 x 45	3	3	6	C	1.5



# Diagrams and dimensions(in mm)



## Flange openings



For corresponding FLANGE OPENINGS see TABLE ABOVE.

Flat904,9/F.,Hung Tai Industrial Building, 37-39 Hung To Road,  
KwunTong,Kowloon

香港九龍觀塘鴻圖道37-39號鴻泰工業大廈904室

Tel:(852)2389-1909

Fax:(852)2372-9459

E-mail:info@alliedsuccess.com