

DT6360STC

DUAL TEC® MOTION SENSOR
X-BAND TECHNOLOGY



Microcontroller-based, ceiling mount DUAL TEC Motion Sensor. All the advantages of DUAL TEC motion sensor accuracy and reliability in a desirable ceiling mount design.

FEATURES

- **Microwave Advanced Processing (MAP)**
Incoming microwave and PIR signals are constantly monitored and individually qualified for intrusion characteristics. The timing and sequence of each of these signals must be qualified by MAP settings to specific environments, allowing for optimum catch performance and false alarm immunity.
- **Microwave/PIR Technology**
The use of dual technology provides the best detection available while virtually eliminating false alarms and costly service calls.
- **Built-in Diagnostics and Supervision**
Allows trouble conditions to be quickly identified, diagnosed and corrected.
- **Ceiling Mount Design**
360° field-of-view, mounting height from 8' to 16' (2.4m to 4.9m), install as recessed or surface mount.
- **Microcontroller-initiated Self-tests**
Microcontroller automatically initiates self-tests at power-up, trouble conditions and programmed intervals.
- **Trouble Output**
After a trouble is confirmed with a self-test, the trouble output can be used to annunciate the trouble condition.
- **Full Supervision Microwave/PIR**
 - Patented INFORMER® circuit constantly monitors microwave and PIR against blockage and misapplication.
 - Independent circuit supervises both microwave and PIR against failure; at a loss of signal, microcontroller initiates self-test and unit switches automatically to single technology operation.
- **Mounting**
Surface or flush mount on ceilings (flush mount kit included); maximum standard range obtained at 11' (3.4m). PIR mirror assembly included for installation on 12' to 16' (3.7m to 4.9m) ceilings.

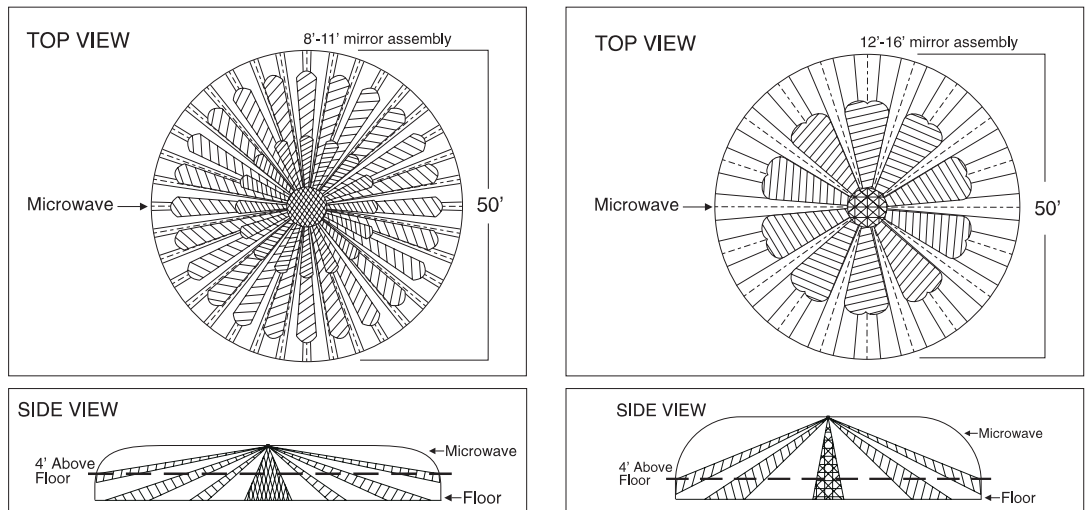
SPECIFICATIONS

- **Physical Dimensions**
 - White, high impact, ABS plastic housing
 - 5" H x 5" W x 2.3" D (12.7cm x 12.7cm x 5.8cm)
 - Weight: 14 oz (397 g)
- **Power Requirements**
 - 10 – 14.5VDC
 - 40mA, 12VDC typical
- **Trouble Output**
 - Open collector: voltage between collector and emitter (Vce) is 0.3V @ 50mA
- **Alarm Relay**
 - Energized Form C: (N.O./N.C.) reed relay rated 125mA at 25VDC
- **Command Output**
 - Self-test initiate
 - Active: 0 – 1.5V (low)
 - Inactive: 6 – V+ (high)
 - Impedance: 110K (minimum)
- **Microwave Frequencies**
 - 10.525 GHz (USA)
- **Tamper Switch**
 - Ceiling and cover tamper switches; Form A (N.C.) switch rated 25mA, 30VDC
- **Operating Temperature**
 - 32° – 120° F (0° – 49° C); 5% to 95% relative humidity, non-condensing
- **RFI Immunity**
 - 30 Vm, from 10 MHz – 1000 MHz
- **PIR White Light Immunity**
 - 900 LUX
- **Detection Range**
 - 50' (15m) diameter, 25' (7.6m) radius
- **PIR Fields of View**
 - 8'–11' mirror assembly (three 360° fields)
Long range: 36 Lower: 16
Intermediate: 24 Look-down: 1
 - 12'–16' mirror assembly (two 360° fields)
Long range: 40
Intermediate: 20
Look-down: 1
- **Sensitivity**
 - 2–4 steps within field of view
- **Approvals/Listings**
 - FCC certified, UL listed, ULC, IC certified, C-Tick

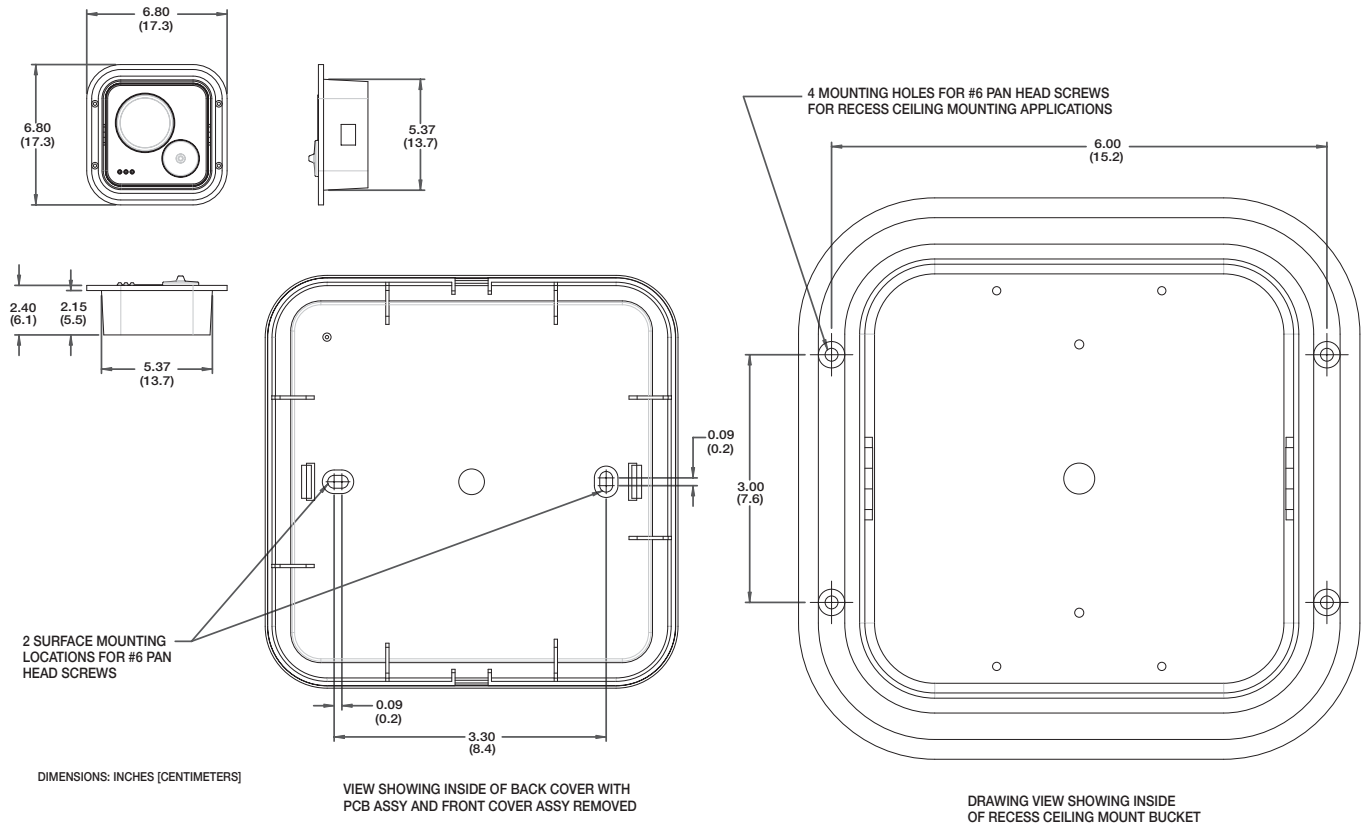
DT6360STC

DUAL TEC® MOTION SENSOR X-BAND TECHNOLOGY

DETECTION PATTERNS



MECHANICAL MOUNTING SPECIFICATIONS



ORDERING

DT6360STC DUAL TEC Motion Sensor

Automation and Control Solutions
 Honeywell Security & Communications
 2 Corporate Center Dr. Suite 100
 P.O. Box 9040
 Melville, NY 11747
 www.honeywell.com

L/DT6360/D
 September 2008
 © 2008 Honeywell International Inc.

Honeywell