

## Humidity & Temperature Transducer

### Data Sheet



### Application

Wall mounting humidity and temperature transducers H7030 is fast, stable and accurate. It is designed for environmental monitoring and control application in factory, commercial and public building. It can work with Honeywell DDC with standard 500 Ohm resistor installed or work with Honeywell or third party PLC.

### Feature

- 4~20mA output for temperature and humidity
- Square type, Wall mounting
- Excellent linearity
- Good long term Stability
- High Reliability
- Dirt, dust & oil does not effect sensor
- Easiest installation
- Unique ventilation design

### Technical specification

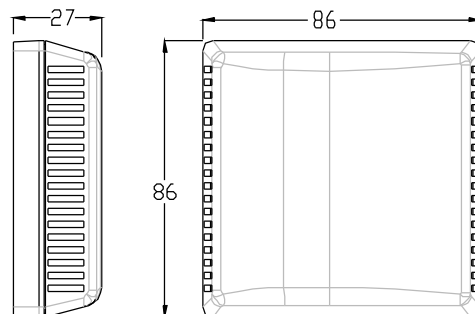
Relative Humidity	
Measurement Range:	0~100%RH
Output	4~20mA:
Accuracy:	3% RH (@20°C, 20~80%RH)
Total Accuracy:	5% RH
Long term stability:	± 1% RH per y
Temperature	
Temp sensor:	Pt1000 IEC751 class B
Measurement Range:	-10°C~+60°C
Output:	4~20mA
Accuracy:	0.3°C @20°C
Total Accuracy:	0.5C (0~40°C)
Long term stability:	0.25C per year
Size(in mm):	86x86X27 Long/ wide/Deep
Power supply:	24VDC ±10%
Output Load Resistance	500 Ohm Max
Current consumption:	40mA Max
Working temperature:	-20°C...+85°C
Storage temperature :	-40°C...+90°C
Housing material:	ABS plastic
Housing Enclosure	IP30
EMC Conformity:	IEC61000-4-2, IEC61000-4-4, IEC61000-4-5

## WALL Mounted Humidity & Temperature Transducer

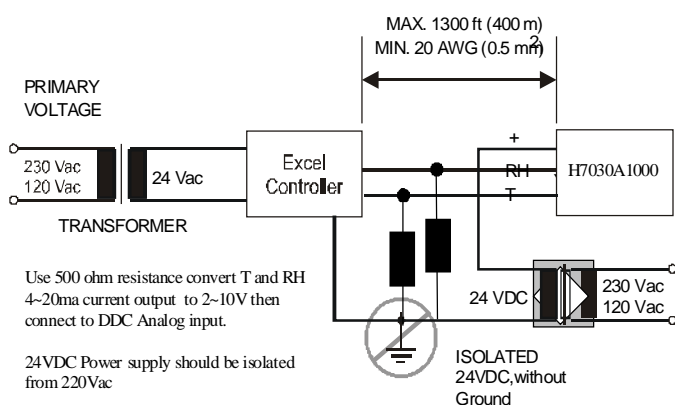
### Order information

Model Number	Description	Application
H7030A1000	Temperature Pt1000 (-10~60 <sup>0</sup> C): output 4~20mA Humidity ( 0~100RH%): output 4~20mA	Work with PLC & Honeywell DDC

### Dimensions (mm)

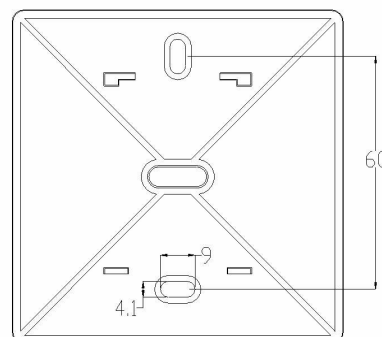


### Wiring



### Installation

1. Mount the transducer module on a wall, approx.1.5 meter from the floor. Do not mount on wall corner. Keep it from away from heat/cool fan or radiator, avoid heat pipe and flue.
2. Put the wiring cable and mark each wire clearly,
3. Open the module box, take the back cover of module, then put it on normal 86X86 junction box.
- 4 Using screw driver to connect each wire to wiring terminal of the transducer module
5. Put front cover back



Home&Building Control Product  
Automated Control Solution  
Honeywell limited  
[www.honeywell-ec.com.cn](http://www.honeywell-ec.com.cn)