

P7620C Differential Pressure Sensors

Product Data



GENERAL

The P7620C ceramic cell differential pressure transmitters and transducers have been designed for most industrial pressure measurement applications at high quality performance and precision accuracy requirement including fluids and gases. The ceramic cell and metallic wetted parts can be compatible with majority of aggressive process fluids. The output signal of the sensing bridge is converted to be a standardized current or voltage signal through surface mount technology circuit board. This high level signal output with very low noise system is packaged in a rugged stainless steel housing to resist the harsh and extreme environment conditions.

Each transmitter is inspected and calibrated to ensure its 100% quality.

FEATURES

- Accuracy 0.5% F.S.
- Fluid and Gas applications
- Temperature Compensated
- Built in Amplifier
- Shock and Vibration Resistance
- Zero and Span Adjustments
- False System Shutdown Prevention

APPLICATIONS

- Industrial OEM equipments
- Compressor controls
- Pneumatic systems
- Pump applications
- HVAC systems
- Liquid level measurements
- Energy and water managements

Contents

General	1
Feature	1
Application	1
Specifications	2
Ordering Information	3
Installation	3
Dimension	4
Wiring	4

SPECIFICATIONS

IMPORTANT:

The specifications given in this publication do not include normal manufacturing tolerances. Therefore, this unit may not exactly match the listed specifications. Also, this product is tested and calibrated under closely controlled conditions, and some minor differences in performance can be expected if those conditions are changed.

PERFORMANCE

Accuracy at 25°C (Linearity, Hysteresis, Repeatability)

< ± 0.5% F.S.

Stability at 25°C

< ± 0.4% F.S.

Thermal Shift

See the “ordering information”

ENVIRONMENTAL

Operating Temperature Range

-25~85°C

Storage Temperature Range

-25~100°C

Compensated Range

-40~135°C

Weatherproof Rating (Enclosure)

IP65, NEMA4/4X or better

PHYSICAL DATA

Housing

304 Stainless Steel

Ceramic Sensor

Aluminum Oxide Al₂O₃ (96%)

Seal Material

FPM (Viton)-Standard, NBR,
Silicone Rubber, CR (Neoprene),
EPDM (Ethylene Propylene)

Process Connection

1/8"PT-F

Electrical Connector

Terminal Box to DIN43650A (IP 65)

ELECTRICAL DATA

Voltage Output

Output Signal (Voltage, 3 Wires)

0-10V

Power Requirement (Voltage)

15-32VDC (Normal 24VDC, Voltage)

Load Resistance (Voltage)

> 10K Ohms

Current Output

Output Signal (Current, 2 Wires)

4-20mA

Power Requirement (Current)

10-32VDC (Normal 24VDC, Current)

Load Resistance (Current)

≤ Supply Voltage -10V)/(0.02A)ohms

ACCESSORY

—Digital Indicating Meter/Controller

P7620C-LCD-A / P7620C-LCD-B

Accuracy

<± 0.2% F.S. 1 digit

Range

<± 0.4% F.S.

Thermal Effect

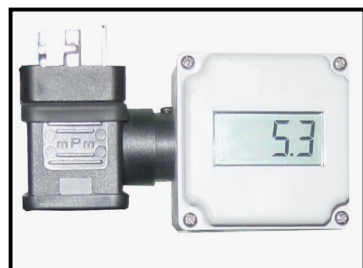
<± 0.1% F.S.

Ambient Temperature Range

0.....50 °C

Storage Temperature Range

-20.....70 °C



ORDERING INFORMATION

If you have additional questions, need further information, or would like to comment on our products or services, please write or phone your local Honeywell Automation and Control Products Sales Office or Honeywell Customer Care.

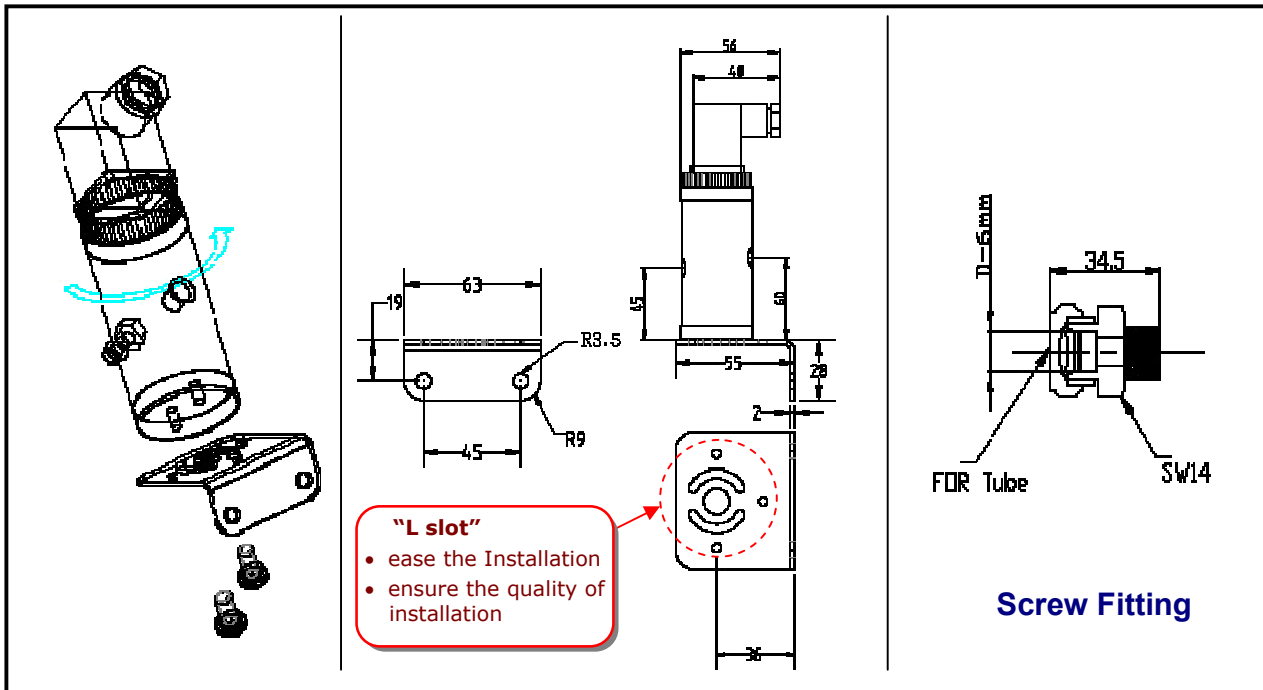
Code	Range	Max pressure in one side port	FS/°C	Output
P7620C0010A	0...1 Bar	H-Port<2 Bar, L-Port<2 Bar	TC-0<0.04%	4-20mA
P7620C0010B	0...1 Bar	H-Port<2 Bar, L-Port<2 Bar	TC-0<0.04%	0-10V
P7620C0012A	0...1 Bar	H-Port<4 Bar, L-Port<4 Bar	TC-0<0.08%	4-20mA
P7620C0012B	0...1 Bar	H-Port<4 Bar, L-Port<4 Bar	TC-0<0.08%	0-10V
P7620C0016A	0...1.6 Bar	H-Port<3.2 Bar, L-Port<3.2 Bar	TC-0<0.04%	4-20mA
P7620C0016B	0...1.6 Bar	H-Port<3.2 Bar, L-Port<3.2 Bar	TC-0<0.04%	0-10V
P7620C0018A	0...1.6 Bar	H-Port<10 Bar, L-Port<10 Bar	TC-0<0.08%	4-20mA
P7620C0018B	0...1.6 Bar	H-Port<10 Bar, L-Port<10 Bar	TC-0<0.08%	0-10V
P7620C0025A	0...2.5 Bar	H-Port<5 Bar, L-Port<5 Bar	TC-0<0.04%	4-20mA
P7620C0025B	0...2.5 Bar	H-Port<5 Bar, L-Port<5 Bar	TC-0<0.04%	0-10V
P7620C0027A	0...2.5 Bar	H-Port<10 Bar, L-Port<10 Bar	TC-0<0.08%	4-20mA
P7620C0027B	0...2.5 Bar	H-Port<10 Bar, L-Port<10 Bar	TC-0<0.08%	0-10V
P7620C0040A	0...4 Bar	H-Port<8 Bar, L-Port<8 Bar	TC-0<0.04%	4-20mA
P7620C0040B	0...4 Bar	H-Port<8 Bar, L-Port<8 Bar	TC-0<0.04%	0-10V
P7620C0042A	0...4 Bar	H-Port<20 Bar, L-Port<20 Bar	TC-0<0.08%	4-20mA
P7620C0042B	0...4 Bar	H-Port<20 Bar, L-Port<20 Bar	TC-0<0.08%	0-10V
P7620C0060A	0...6 Bar	H-Port<12 Bar, L-Port<12 Bar	TC-0<0.04%	4-20mA
P7620C0060B	0...6 Bar	H-Port<12 Bar, L-Port<12 Bar	TC-0<0.04%	0-10V
P7620C0062A	0...6 Bar	H-Port<20 Bar, L-Port<12 Bar	TC-0<0.08%	4-20mA
P7620C0062B	0...6 Bar	H-Port<20 Bar, L-Port<12 Bar	TC-0<0.08%	0-10V
P7620C0100A	0...10 Bar	H-Port<20 Bar, L-Port<12 Bar	TC-0<0.04%	4-20mA
P7620C0100B	0...10 Bar	H-Port<20 Bar, L-Port<12 Bar	TC-0<0.04%	0-10V
P7620C0160A	0...16 Bar	H-Port<32 Bar, L-Port<12 Bar	TC-0<0.04%	4-20mA
P7620C0160B	0...16 Bar	H-Port<32 Bar, L-Port<12 Bar	TC-0<0.04%	0-10V
P7620C0250A	0...25 Bar	H-Port<50 Bar, L-Port<12 Bar	TC-0<0.04%	4-20mA
P7620C0250B	0...25 Bar	H-Port<50 Bar, L-Port<12 Bar	TC-0<0.04%	0-10V
P7620C-LCD-A	LCD Digital Indicating Meter for 4-20mA sensor			
P7620C-LCD-B	LCD Digital Indicating Meter for 0-10V sensor			

INSTALLATION

When Installing this Product...

1. Read these instructions carefully. Failure to follow them could damage the product or cause a hazardous condition.
2. Check the ratings given in the instructions and on the product to make sure it is suitable for your application.
3. Installer must be a trained, experienced service technician.
4. After installation is complete, check out product operation as provided in these instructions.

DIMENSION (mm)



WIRING

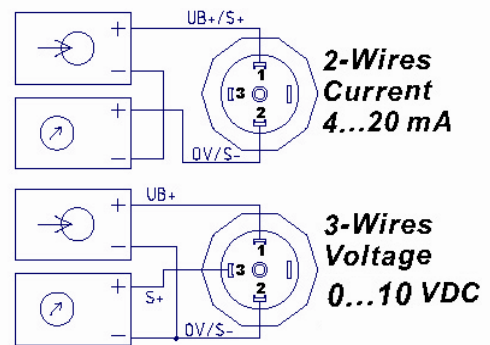
Wiring

Explosion and Shock Hazard

Oxygen or flammable material can cause explosion

Do not use on oxygen service, in an explosive/hazardous environment, or with flammable/combustible media.

Disconnect power supply before installation to prevent electrical shock and equipment damage.



Honeywell

Building Control System
Automation and Control Solutions
Honeywell Co., Ltd.
<http://www.honeywell.com>
Subject to change without notice.