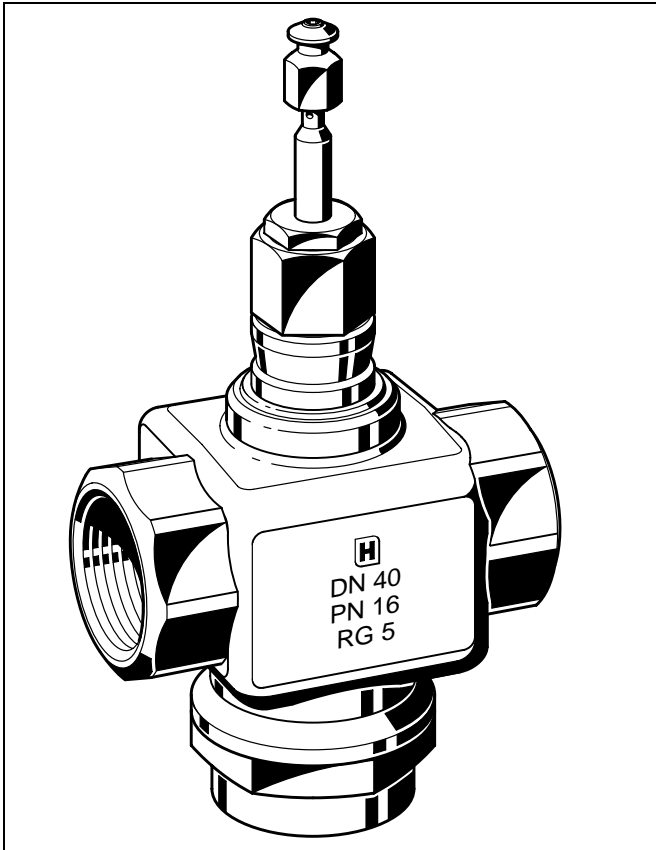


## V5013R

### THREADED END-CONNECTION LINEAR VALVE PN16

#### SPECIFICATION DATA



#### Features

- Red brass body with threaded end connections
- Low seat leakage rate
- Self adjusting packing
- Accurate positioning to ensure state of the art temperature control
- Directly coupled electric and pneumatic actuators for easy mounting
- Constant total flow throughout full plug travel

#### Specifications

Action:	Stem up to close port A-AB
Nominal pressure rating:	PN16
Flow characteristic:	Equal percentage port A-AB Linear port B-AB
Rangeability:	50:1
Leakage rate:	≤0.05% of $k_{vs}$
Stroke:	20 mm
Valve body:	
Pipe connections:	Internal threaded acc. to ISO228
Material:	Red brass
Dimensions:	See Fig. 1
Trim:	
Seat: DN15:	Stainless steel, replaceable
DN20...50:	Body integrated
Plug:	Brass
Stem:	Stainless steel
Packing:	Spring loaded carbon fiber reinforced PTFE V-rings
Medium temperature and pressure:	Water
	2 to 120 °C max. 1600 kPa
	120 to 170 °C max. 1490 kPa
Maximum temperature differential in alternating hot / cold water use:	60 K

#### Application

Three port mixing control valves for:

- hot water
- chilled water
- Domestic Hot Water

in Heating, Ventilating, Air Conditioning Systems, Open Circuits

To be operated by

- electric linear actuators as  
ML 6420 / 25  
ML 7420 / 25  
M 6421  
M 7421
- pneumatic actuators as  
MP 953

## Sizes and flow capacities

Order Number	Valve size	$k_{vs}$
V5013R1032	DN15	2.5
V5013R1040	DN15	4
V5013R1057	DN20	6.3
V5013R1065	DN25	10
V5013R1073	DN32	16
V5013R1081	DN40	25
V5013R1099	DN50	40

## Installation

Water should meet VDI2035 requirements.

Do not install valve with stem below the horizontal.

Fluid flow must correspond with the arrow direction on the valve body.

The installation of a strainer is strongly recommended.

## Spare Parts

Repair packing kit

DN15...32: Order number R43176754-001

DN40...50: Order number R43176754-002

## Close-off Pressure Ratings in kPa

### Electric Actuators

Actuator		Valve size					
Type	Force	DN15	DN20	DN25	DN32	DN40	DN50
ML6420 / ML6425 ML7420 / ML7425	600N	1600	1600	1000	700	460	260
M6421 / M7421	1800N	-	-	1600	1600	1500	850

### Pneumatic actuators

Actuator				Valve size					
Type	Spring range	Air pressure	Closed seat	DN15	DN20	DN25	DN32	DN40	DN50
MP953C5001	14...48 kPa	0 kPa  115 kPa	upper	150 1600	- -	- -	- -	- -	- -
MP953C5027 MP953A5005	27...76 kPa			800 1150	310 530	180 350	90 200	30 100	- -
MP953C5019	55...83 kPa			1600 860	950 380	620 240	370 130	220 60	- -
MP953C5068	14...48 kPa			1550 1600	650 1600	420 1600	240 1600	130 1130	50 630
MP953C5084 MP953A5039	27...76 kPa			1600 1600	1550 1600	1030 1500	630 950	400 600	200 320
MP953C5076	55...83 kPa			1600 1600	1600 1600	1600 1190	1470 750	970 460	520 250
MP953D5025	27...76 kPa			1600 1600	840 1480	570 990	340 600	200 370	90 190
MP953D5009 MP953B5003	55...83 kPa			1600 1600	1050 1600	720 1490	440 920	260 600	130 320

## Dimensions

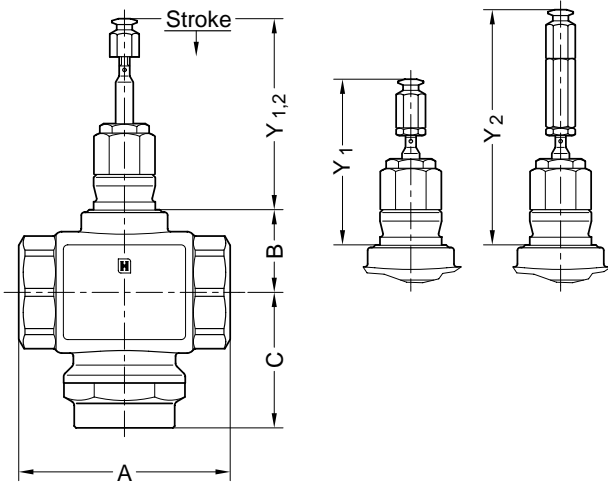


Fig. 1

Valve Size	A	B	C	Y <sub>1</sub>	Y <sub>2</sub> *
				Stem up	
DN15	83	39.5	65	107	151
DN20	83	39.5	65		
DN25	103	39.5	66.5		
DN32	106	39.5	72.5		
DN40	120	46.5	77		
DN50	134	46.5	83.5		

\* Y<sub>2</sub> with stem extension for MP953A,C 8" only

For Actuator dimensions please refer to:

ML6420 / ML6425	EN0C-0623
ML7420 / ML7425	EN0C-0624
M6421	EN0C-0485
M7421	EN0C-0484
MP935	EN0C-0450

**Honeywell**

---

**Home and Building Control Products**

Honeywell AG  
Böblinger Straße 17  
D-71101 Schönaich  
Phone (49-7031) 637-01  
Fax (49-7031) 637-493

*Helping You Control Your World*

Subject to change without notice.

Printed in Germany.

Manufacturing location is certified to

**DIN EN**  
**ISO 9001**