

V5421B BUTTERFLY VALVES

SPECIFICATION DATA



FEATURES

- Suitable for M6061 and M7061 actuators
- No separate linkage required
- Easy mounting
- Centric Butterfly Valve with elastomer liner
- Wide DN-range
- For heating water < 50° Glycol
- Exchangeable liner
- Corrosion resistant design

GENERAL

In combination with rotary actuators M6061A,L and M7061E, the butterfly valves V5421B are suitable for heating and cooling applications as well as boiler management systems.

SPECIFICATIONS

Valve sizes	DN25...DN200
Nominal pressure	PN6, PN10 or PN16 bar
Differential pressure	See table on page 2
Temperature range	-10...+130°C
Body construction	Wafer form
Valve housing	Ductile iron GGG40
Coating and bearing	Rilsan
Liner	EPDM-HT
Rotary disc	Ductile iron GGG40
Shaft	Stainless steel 1.4028 (AISI 420)
Linkage	Casted stainless steel
Dimensions, weights	See Fig. 2.
Suitable actuator models	See table on page 2

Models

DN	K _{Vs} (m ³ /h)	Pressure Δp (kPa)	Torque required (Nm)	Order No.	Suitable Actuators		
					230 Vac floating	24 Vac floating	24 Vac 0...10V
25	52	1600	5	V5421B1009	M6061L1027	M6061A1021	M7061E1020
32	52	1600	5	V5421B1017	M6061L1027	M6061A1021	M7061E1020
40	120	1600	7	V5421B1025	M6061L1027	M6061A1021	M7061E1020
50	189	1000	12	V5421B1033	M6061L1027	M6061A1021	M7061E1020
65	311	1000	15	V5421B1041	M6061L1027	M6061A1021	M7061E1020
80	433	1000	25	V5421B1058	M6061L1035	M6061A1039	-
100	745	1000	40	V5421B1066	M6061L1043	M6061A1047	-
125	1219	800	40	V5421B1074	M6061L1043	M6061A1047	-
150	1805	600	40	V5421B1082	M6061L1043	M6061A1047	-
200	3093	400	40	V5421B1090	M6061L1043	M6061A1047	-

Hydraulic Characteristics

The table below shows the K_V - values at different opening angles:

DN	K _V -value (m ³ /h) at opening angle								
	10°	20°	30°	40°	50°	60°	70°	80°	90°
25 32	0.4	1.7	4.3	6.9	11	17	29	46	52
40	0.8	2.6	7.3	15	24	38	63	87	120
50	1.3	3.8	10	22	38	58	98	128	189
65	2.1	7.3	18	35	61	93	185	2376	311
80	2.7	10	26	48	85	128	218	344	433
100	4.3	15	41	74	123	227	372	624	745
125	6.4	24	60	116	213	386	587	1018	1219
150	10	39	93	169	316	526	847	1223	1805
200	19	64	163	302	567	985	1551	2288	3093

Fig. 1 shows the pressure drop at different opening angles and the flow capacity values of the DN25 to DN200 models.

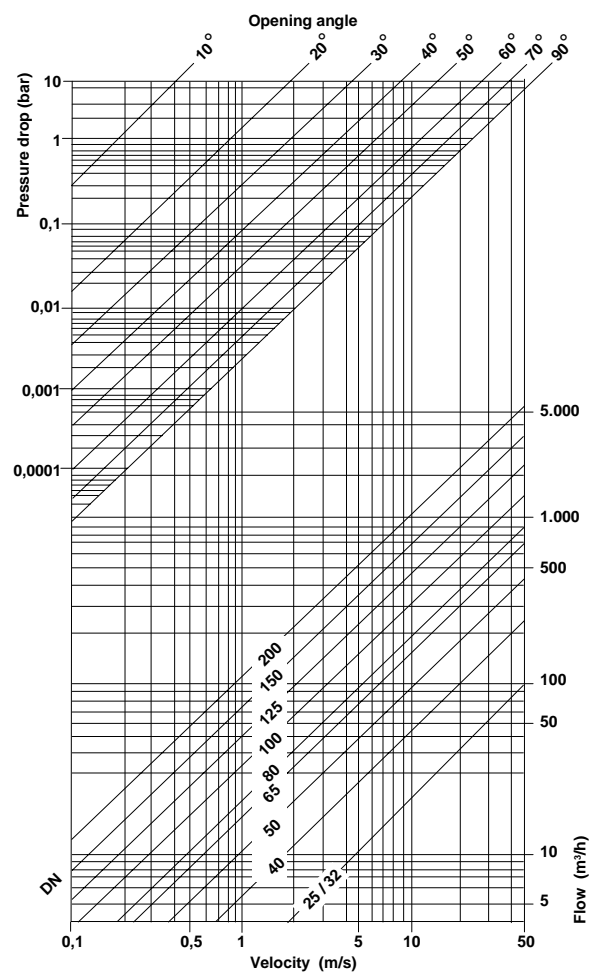


Fig. 1. Pressure drop and flow capacity

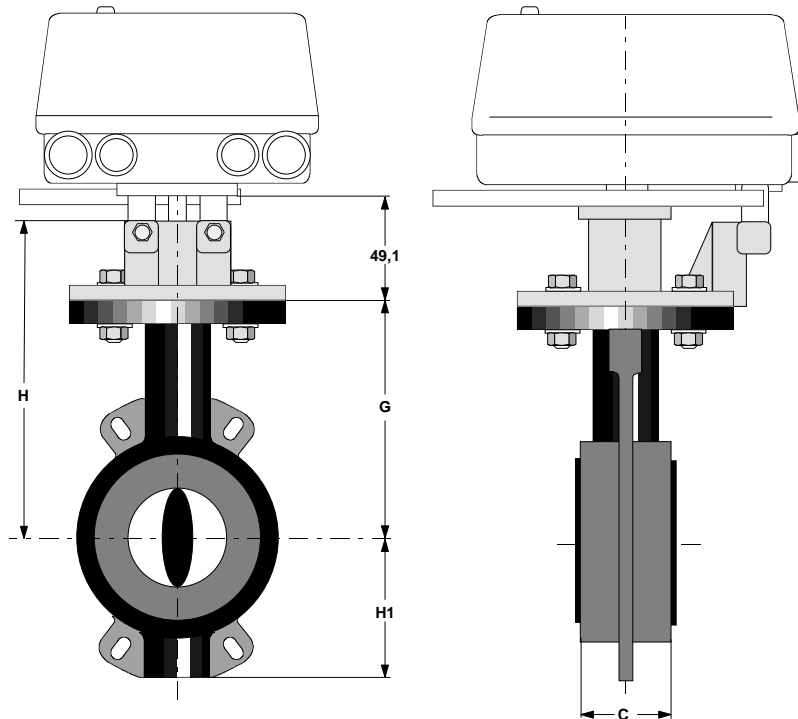
OPERATION

The butterfly valve can shut on/off liquid flow by turning the rotary disc 0...90° rotary angle. Preferred use of these valves in boiler cascade systems where boiler supply flow is to shut off in case of non heat requirements.

CAUTION

For safety reason, do not leave the valve without actuator while the line is under pressure.

DIMENSIONS



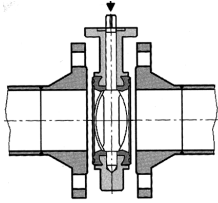
Order No.	DN	Dimensions in mm				Weight (kg)
		H	H1	C	G	
V5421B1009	25	125	52	30	150	2.5
V5421B1017	32	125	52	30	150	2.5
V5421B1025	40	130	60	33	155	2.5
V5421B1033	50	135	72	43	160	3.5
V5421B1041	65	150	82	46	175	4.1
V5421B1058	80	160	92	46	185	4.5
V5421B1066	100	180	102	52	205	6.0
V5421B1074	125	195	120	56	220	8.0
V5421B1082	150	210	133	56	235	9.1
V5421B1090	200	240	163	60	265	12.7

Fig. 2. Dimensions and weights

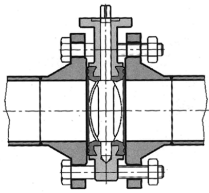
MOUNTING

Before mounting the actuator, place the butterfly valve according to its installation instruction.

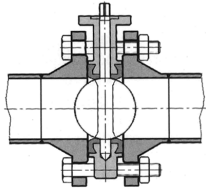
1. Spread the flanges of the valve in order to ease the installation. The disc must be partially open.



2. Set all stay-bolts by keeping the disc slightly open and do not tighten the nuts.

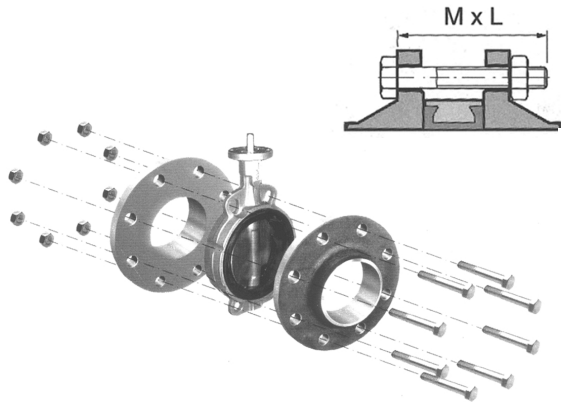


3. Open completely the disc. Ensure, that the piping is aligned. Tighten diagonally opposite the nuts until the flanges are in contact with the body of the valve.



Bolting

Number of bolts and nuts depends on nominal pressure PN, see table.



SPARE PARTS

Following listed spare parts for valves V5421B are available on request.

Valve	Order No.	
	Packing ring	O-ring Nitril
V5421B1009	LI-DE 0032 EC	SP-DE 0032
V5421B1017	LI-DE 0032 EC	SP-DE 0032
V5421B1025	LI-DE 0040 EC	SP-DE 0040
V5421B1033	LI-DE 0050 EC	SP-DE 0050
V5421B1041	LI-DE 0065 EC	SP-DE 0065
V5421B1058	LI-DE 0080 EC	SP-DE 0080
V5421B1066	LI-DE 0100 EC	SP-DE 0100
V5421B1074	LI-DE 0125 EC	SP-DE 0125
V5421B1082	LI-DE 0150 EC	SP-DE 0150
V5421B1090	LI-DE 0200 EC	SP-DE 0200

DN	PN6		PN10		PN16	
	Bolts	n	Bolts	n	Bolts	n
25,32	M12x90	4	M16x90	4	M16x90	4
40	M12x90	4	M16x90	4	M16x90	4
50	M12x100	4	M16x110	4	M16x110	4
65	M12x110	4	M16x110	4	M16x110	4
80	M16x110	4	M16x120	8	M16x120	8
100	M16x110	4	M16x120	8	M16x120	8
125	M16x120	8	M16x130	8	M16x130	8
150	M16x120	8	M20x130	8	M20x130	8
200	M16x130	8	M20x140	8	M20x140	12

Honeywell

Home and Building Control Products

Honeywell AG
 Böblinger Straße 17
 D-71101 Schönaich
 Phone: (49) 7031 63701
 Fax: (49) 7031 637493
<http://europe.hbc.honeywell.com>

Subject to change without notice. Printed in Germany

Manufacturing location certified to

**DIN EN ISO
9001/14001**

EN0B-0254GE51 R1299